

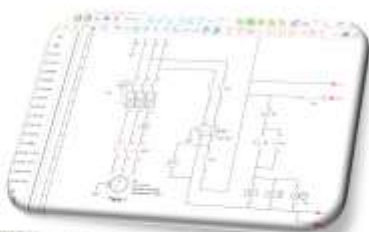
WinRelay V2.4 STUDIO

NEW

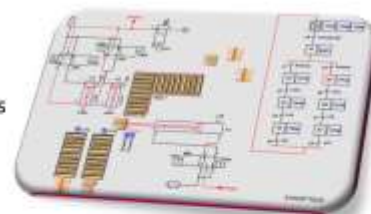
Wiring diagram Design & Simulation

WinRelay STUDIO is the combination of the WinRelay V2.4 PREMIUM schematic editor and a Simulator. With WinRelay STUDIO you can design and simulate in a realistic way your electrical schematics but also pneumatic schematics as well as synoptic views with a single software.

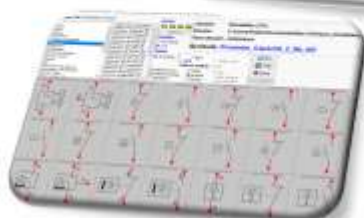
Edit your diagrams
on WinRelais



Create your own
animated synoptics
physics-sensitive



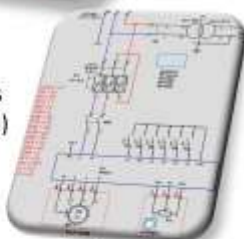
Over 200
simulated symbols
available



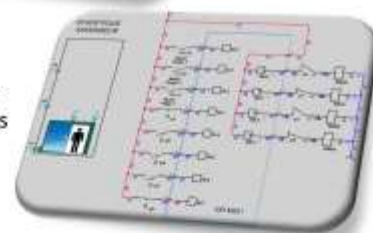
View the evolution
of your system



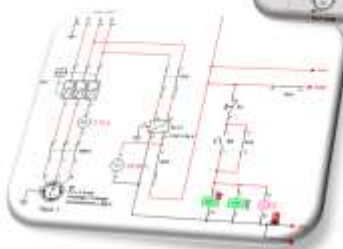
Library of
complex components
(variable speed drives)



Draw PLCs
programmable
logic controllers



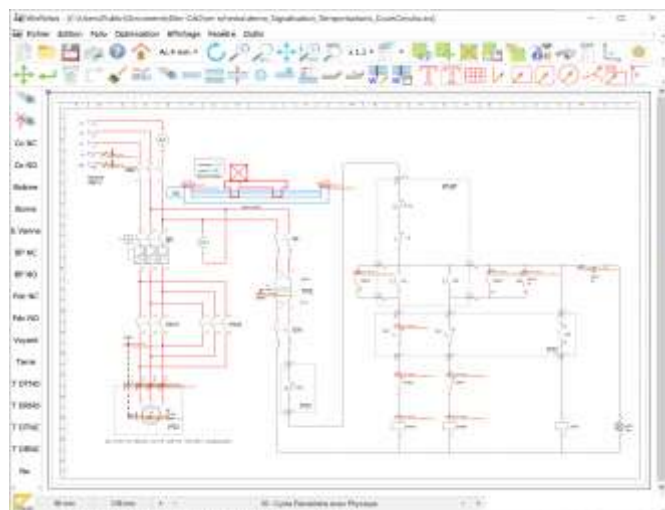
Interact with the
simulated folios



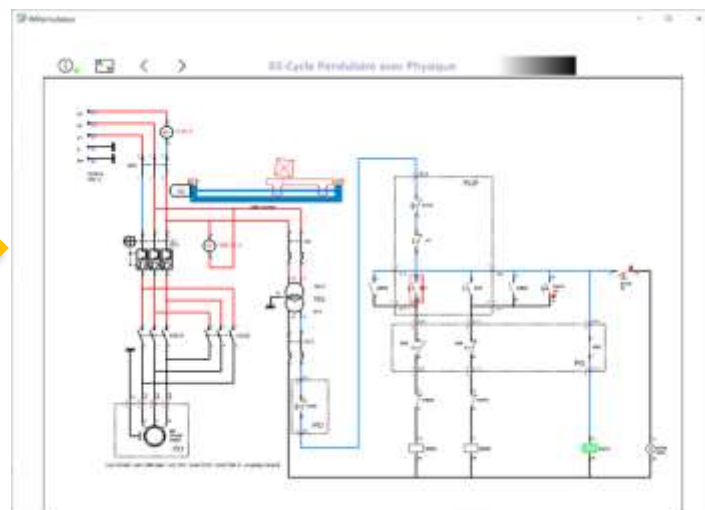
WRSimulateur
(C) 2023

distribué par
INGE^{RE}A

Program these PLCs
with your
favourite editor



WinRelay V2.4 PREMIUM schematic editor



Simulator

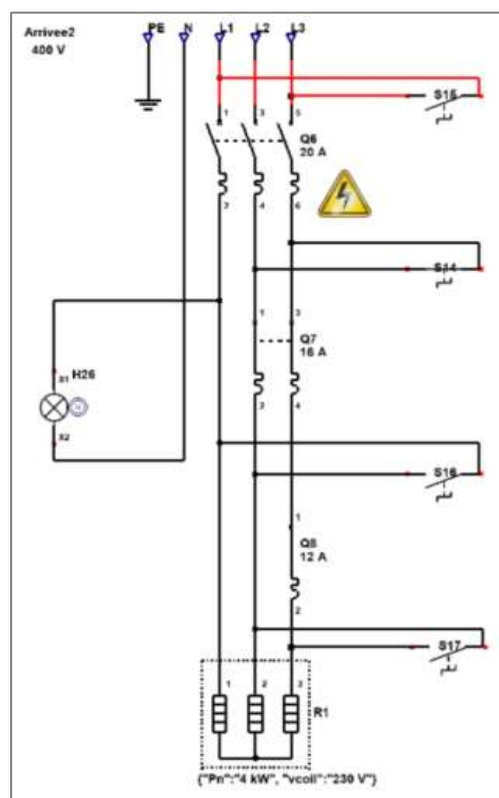
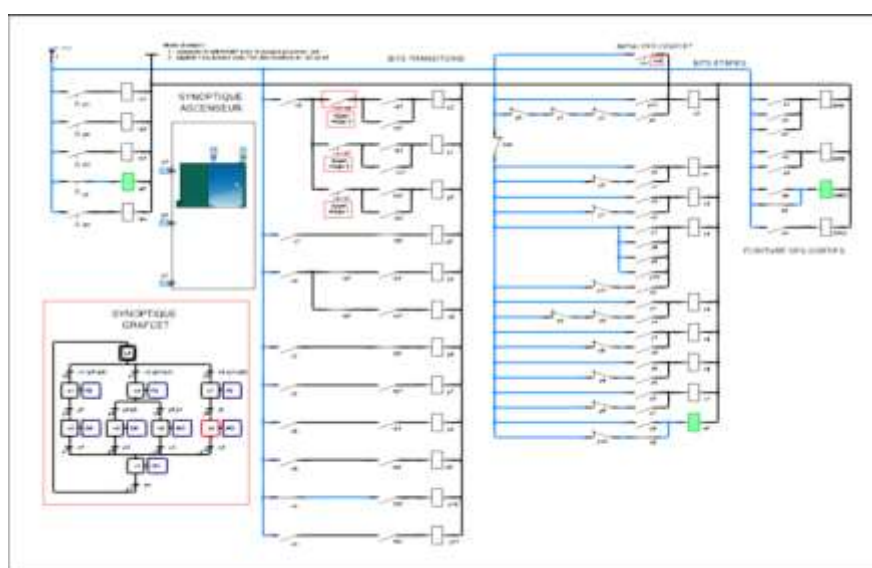
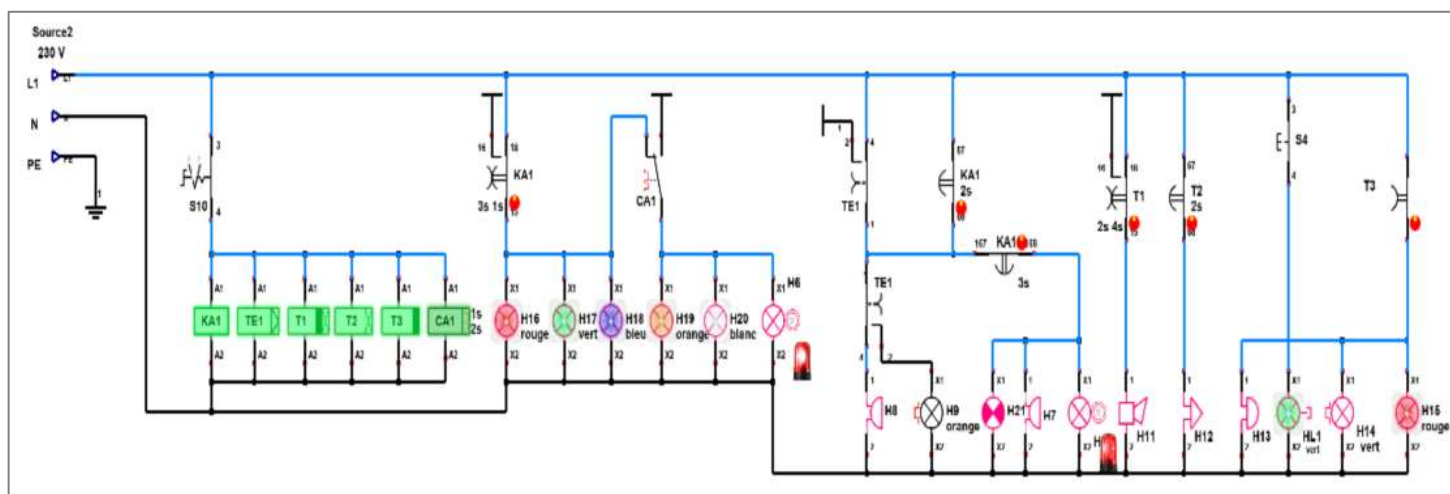
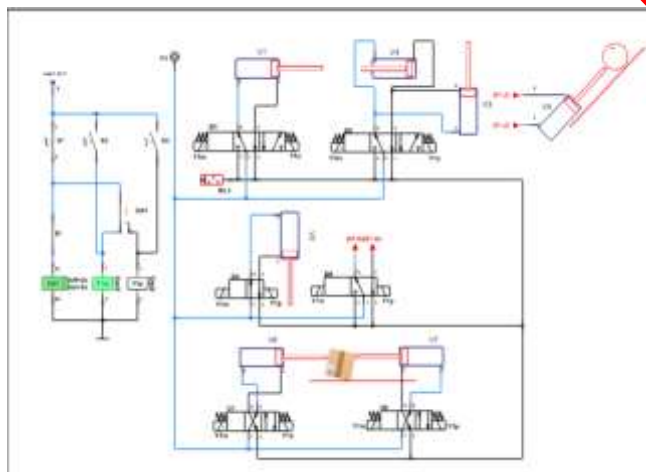
WinRelay V2.4 STUDIO

TM

NEW

Main features :

- All the features of WinRelais V2.4 PREMIUM
- New library of simulatable symbols
- Simulation of up to 32 folios
- Interaction on control devices
- Short circuit test
- Display of measured values (ammeter, voltmeter)
- Animation of electrical symbols and conductors
- Animation of synoptic views and objects with physical motor
- Drawing of time diagrams
- MODBUS/TCP IP communication interface
- Interactive folio referrals during simulation
- ZOOM function with image movement on the screen
- Full screen schematic display function
- Available as a site licence (unlimited number of installations)



System requirements :

- MS Windows 10 et 11
- **OPEN GL compatible graphics card**
- RAM memory : 8 Go
- Hard disk : 1 Go

